

Roman Pan 6000 Series



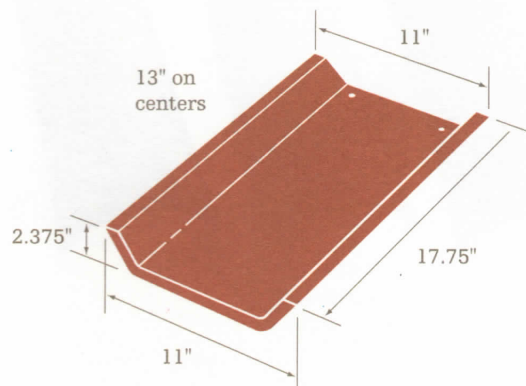
4343,4243,4341,4241,6043,6040: Casa Sollevare Blend, Baja Mission Tops/Roman Pans *Grand Junction, CO*

Some of the earliest roof tiles documented were connected with the simultaneous rise of monumental architecture in ancient Greece. Tile installation — which included the traditional barrel tile shapes — also incorporated a flat pan underneath the barrel-shaped Baja Mission top. Redland's Roman Pans replicates this architectural legacy. When coupled with any of Redland's Baja Mission or Baja Mission Sandcast tops, the combination of barrel tops with flat pans offers an attractive alternative to the traditional roof installation pattern.

Exposure: 14.75" maximum, 3" head lap

Weight: 1000 lbs. per square (approx.)

Quantity: 152 pcs. per square (approx.)





6010
Terra Cotta Blend



6050
Old Sedona Blend



6040
Adobe Brown Blend



6096
Pinto Gold Flash Blend



6043
Cafe Antigua Blend



6170
Sandstone Flash Blend



6070
Sandstone Blend



6098
Cafe Gold Flash Blend



*Roman Pan is always
paired with the Baja Mission
or Roman tops.*